



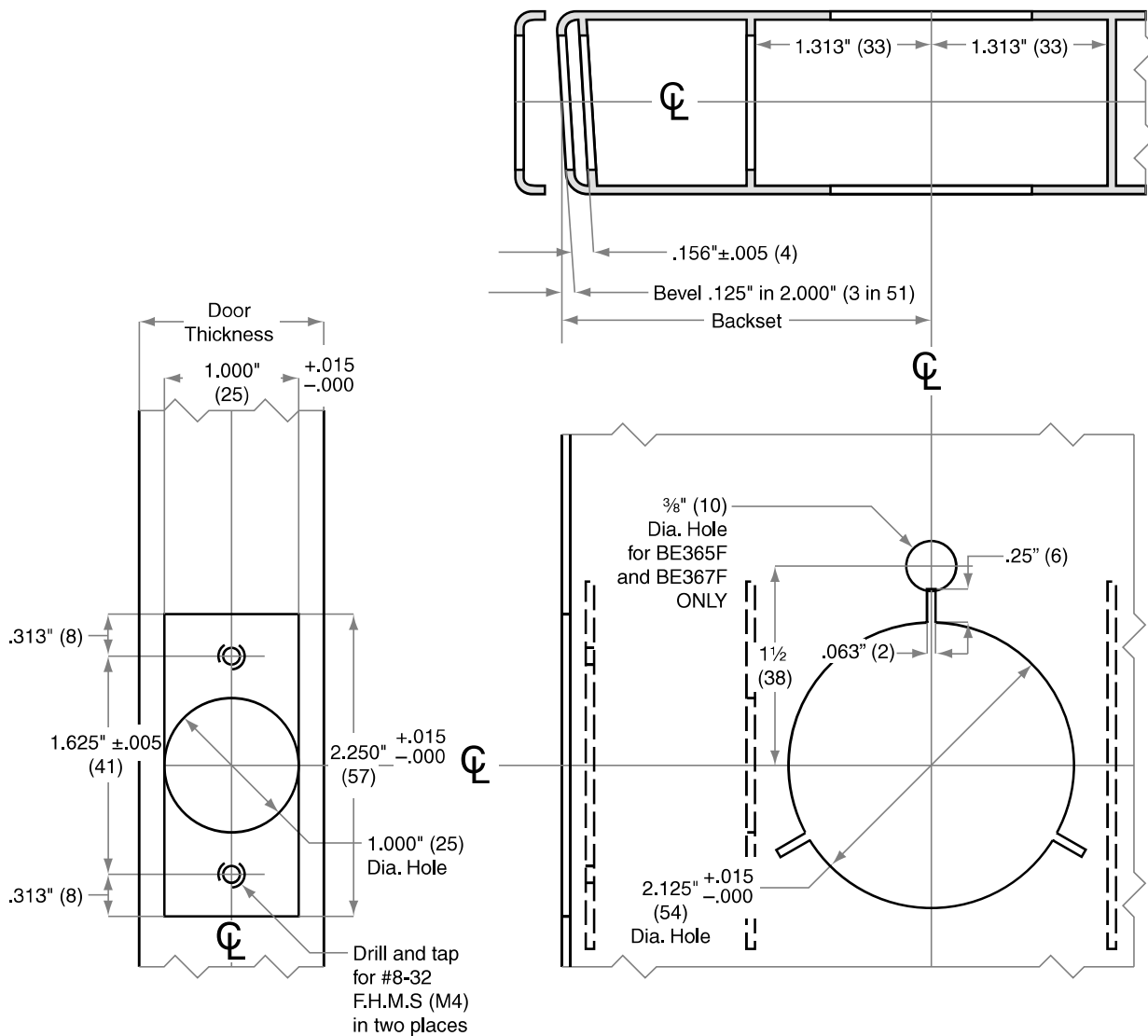
# BE-Series

Models BE365, BE365F, BE367, BE367F, BE369, BE479, BE468, BE469, BE489

- Door Type: Metal, Flat or Beveled
- Door Thickness: 1 $\frac{1}{8}$ " (35 mm)–1 $\frac{3}{4}$ " (44 mm)
- Faceplate: Square Corner, 1" (25 mm) wide
- Backsets: 2 $\frac{3}{8}$ " (60 mm), 2 $\frac{3}{4}$ " (70 mm)

Standard backset in bold.

**For metal door installations, suitable reinforcement is required to support latch in center of door and to prevent lateral movement**



Dimensions shown in parentheses ( ) are in millimeters.

**DRAWING IS NOT TO SCALE!**

**Customer service: 888-805-9837**

**We can help you find the correct guide for your product and application!**

Door preparation template

# RB102